

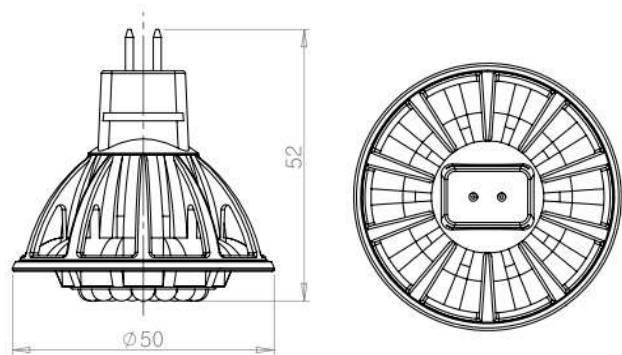
# LumiDas-H



Replace for halogen

## LH03-M1G05S(PNS)

### Dimension



### Specification

|                             |  |
|-----------------------------|--|
| Application                 | Direct lighting  |
| Bulb                        | MR16   |
| Base Type                   | GU5.3  |
| Replacement                 | Halogen lamp 20~25 W<br>Incandescent lamp 50~60W           |
| Wattage                     | 2.846 W  |
| Power Factor                | 0.9  |
| Voltage                     | AC/DC 12V, 50/60Hz   |
| Dimmable                    | Non-Dimmable   |
| Luminous Efficacy (lm/W)    | 62.5 lm/W  |
| Luminous Flux(lm)           | 178 lm   |
| Beam Angle (°)              | 60°  |
| LED Color Temperature (CCT) | Pure:5300K   |
| Color Rendering Index(CRI)  | 71   |
| Dimension (mm)              | Ø50 x 52 mm  |
| Lens Type                   | Spot Type  |
| Fixture body                | Anodizing Aluminum   |
| Operating Temperature       | -30°C ~ 40°C   |
| Environmental Ratings       | Indoor operation   |
| Certifications              | UL / cUL, CE   |
| Rated lifetime (hrs)        | 30,000 ~ 50,000  |
| Warranty                    | 3 years (12 hours a day)<br>When used with Fawoo converter |

### Features & benefits

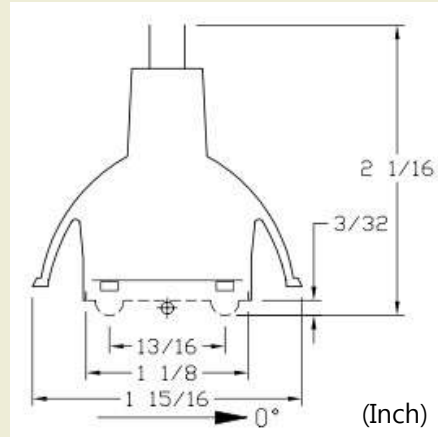
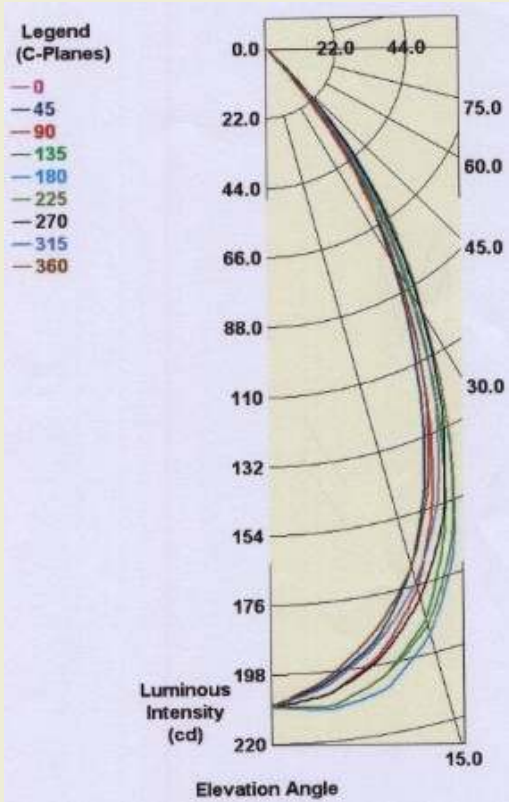
- The flower image creates elegant look
- Low temperatures due to the unique heat dissipation system guarantees a longer lifetime with more consistent brightness
- Minimized glaring effect
- No infrared and No UV lights
- LumiDas-H saves air conditioning cost
- Consumes 60 ~ 80% less energy than halogen lamps
- Low maintenance cost
- Eco-friendly  
(no mercury, no lead, no cadmium)
- Shock resistant
- Compatible with typical lamp

Note(\*) : Test results from the ITL (Independent Testing Laboratory), an independent testing laboratory accredited by U.S Department of Energy ([http://www1.eere.energy.gov/buildings/ssl/test\\_labs.html](http://www1.eere.energy.gov/buildings/ssl/test_labs.html))

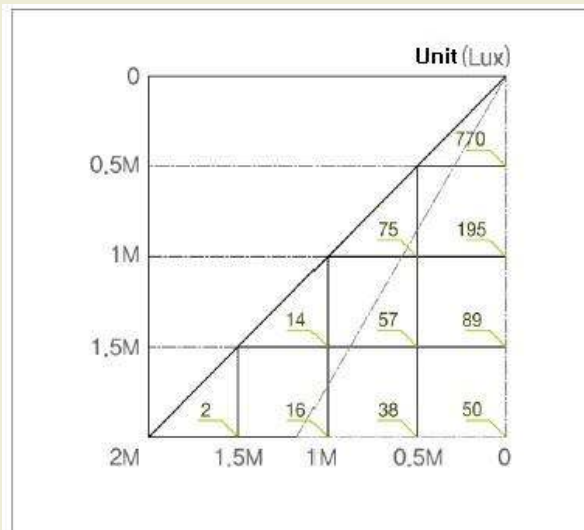


The specification can be updated without any pre-notice to clients  
The information above pertains to clients without any legal responsibility

# Photometry Curve



# Illumination



# Demonstration

