

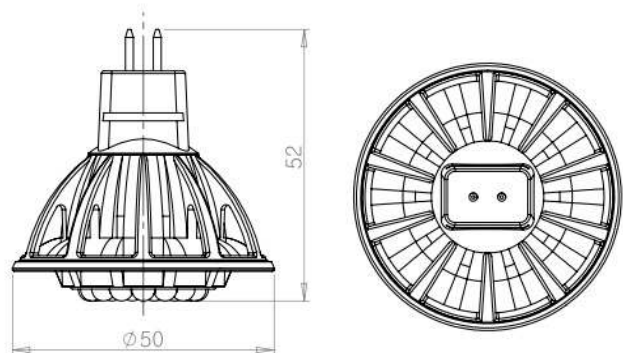
LumiDas-H



Replace for halogen

LH03-M1G05S(WNS)

Dimension



Specification

Application	Direct lighting
Bulb	MR16
Base Type	GU5.3
Replacement	Halogen lamp 20~25 W Incandescent lamp 50~60W
* Wattage	2.6 W
Power Factor	0.9
Voltage	AC/DC 12V, 50/60Hz
Dimmable	Non-Dimmable
* Luminous Efficacy (lm/W)	53.3 lm/W
* Luminous Flux(lm)	144 lm
Beam Angle (°)	60°
LED Color Temperature (CCT)	Warm:3000K
* Color Rendering Index(CRI)	78
Dimension (mm)	Ø50 x 52 mm
Lens Type	Spot Type
Fixture body	Anodizing Aluminum
Operating Temperature	-30°C ~ 40°C
Environmental Ratings	Indoor operation
Certifications	UL / cUL, CE
Rated lifetime (hrs)	30,000 ~ 50,000
Warranty	3 years (12 hours a day) When used with Fawoo converter

Features & benefits

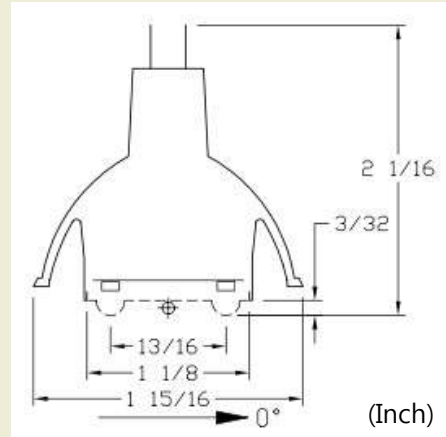
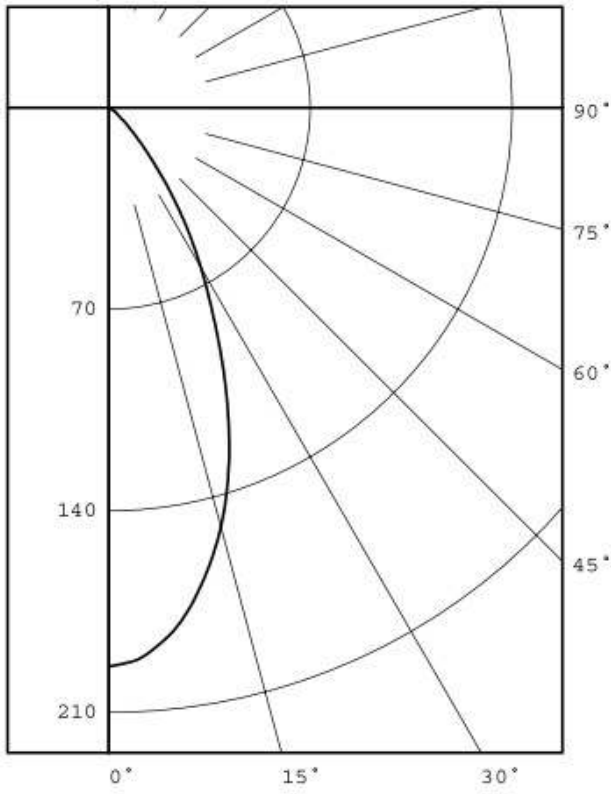
- The flower image creates elegant look
- Low temperatures due to the unique heat dissipation system guarantees a longer lifetime with more consistent brightness
- Minimized glaring effect
- No infrared and No UV lights
- LumiDas-H saves air conditioning cost
- Consumes 60 ~ 80% less energy than halogen lamps
- Low maintenance cost
- Eco-friendly
(no mercury, no lead, no cadmium)
- Shock resistant
- Compatible with typical lamp

Note(*) : Test results from the ITL (Independent Testing Laboratory), an independent testing laboratory accredited by U.S Department of Energy (http://www1.eere.energy.gov/buildings/ssl/test_labs.html)



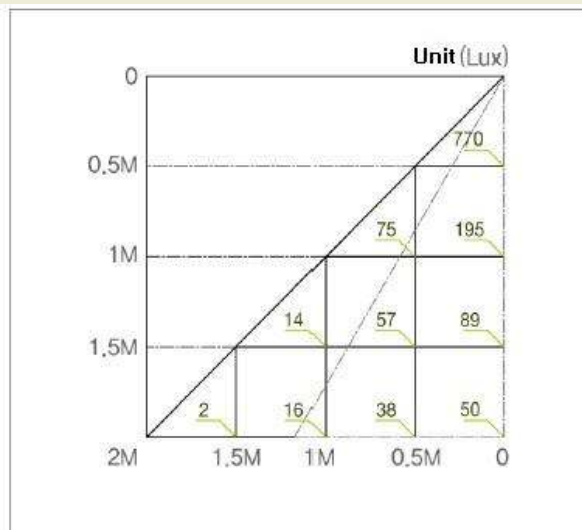
The specification can be updated without any pre-notice to clients
The information above pertains to clients without any legal responsibility

Photometry Curve



SPECTORADIOMETRIC	
Observer	CIE 1931 2 degree
Correlated Color Temp CCT (K)	3119
Chromaticity Ordinate x	0.4304
Chromaticity Ordinate y	0.4049
Color Rendering Index (CRI)	78
ANSI C78.377-2008 Duv	0.001
ELECTRICAL	
Input Voltage (Volts AC)	12.0
Input Current (mA AC)	304
Input Power (Watts)	2.6

Illumination



Demonstration

